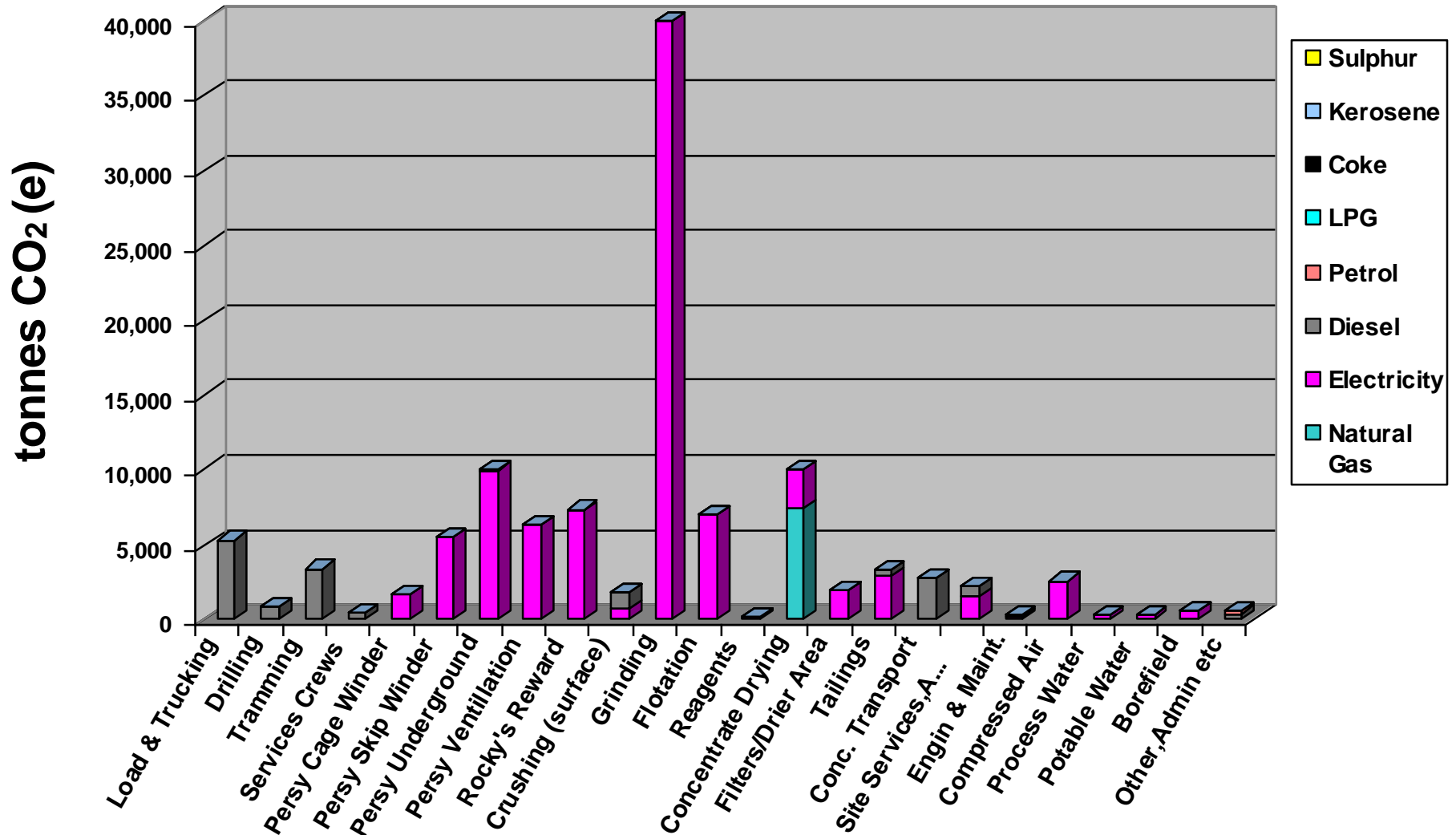


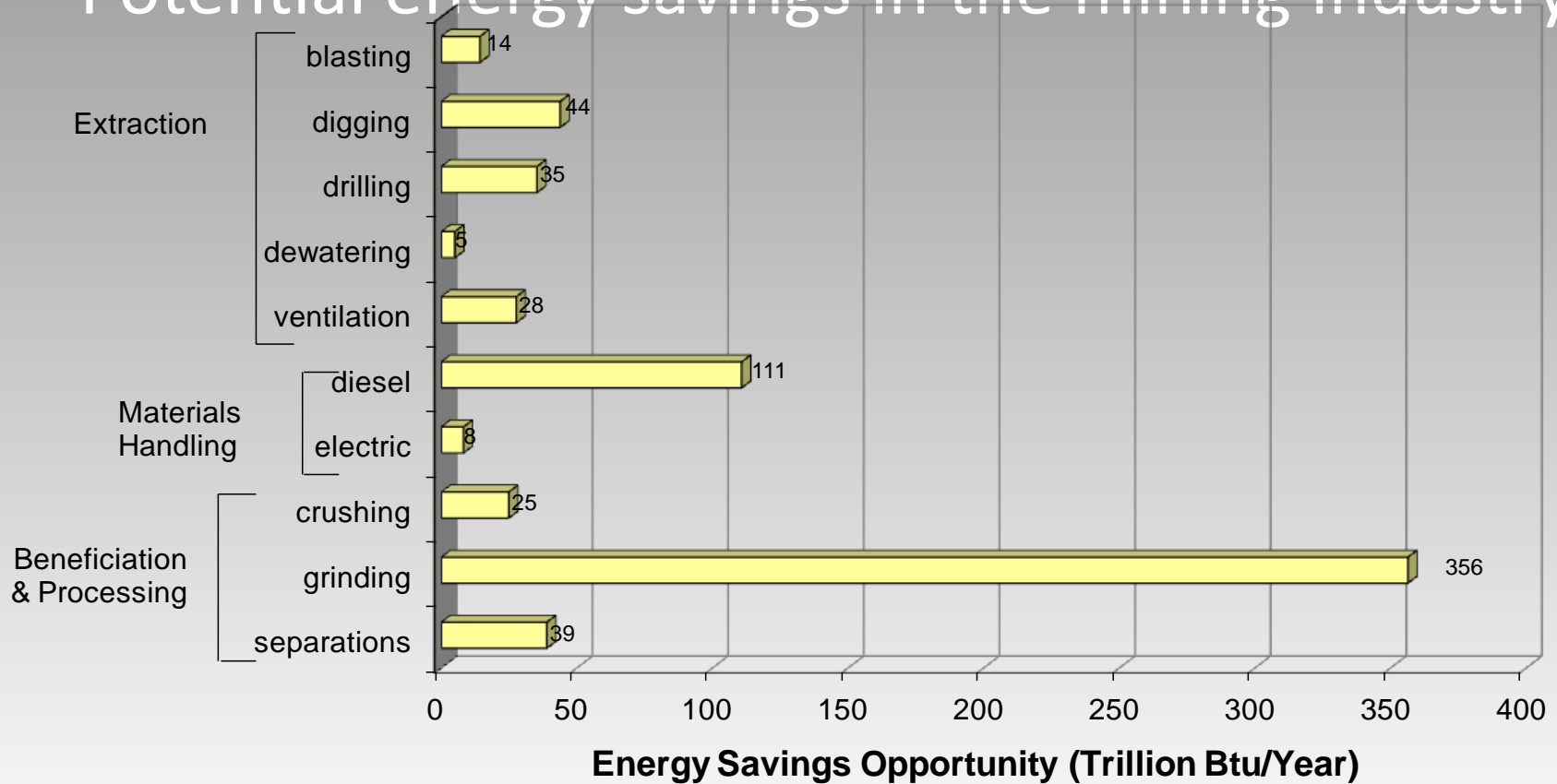
1999 Leinster Nickel Operations CO₂ Emissions



Source La Nauze, Temos 2002

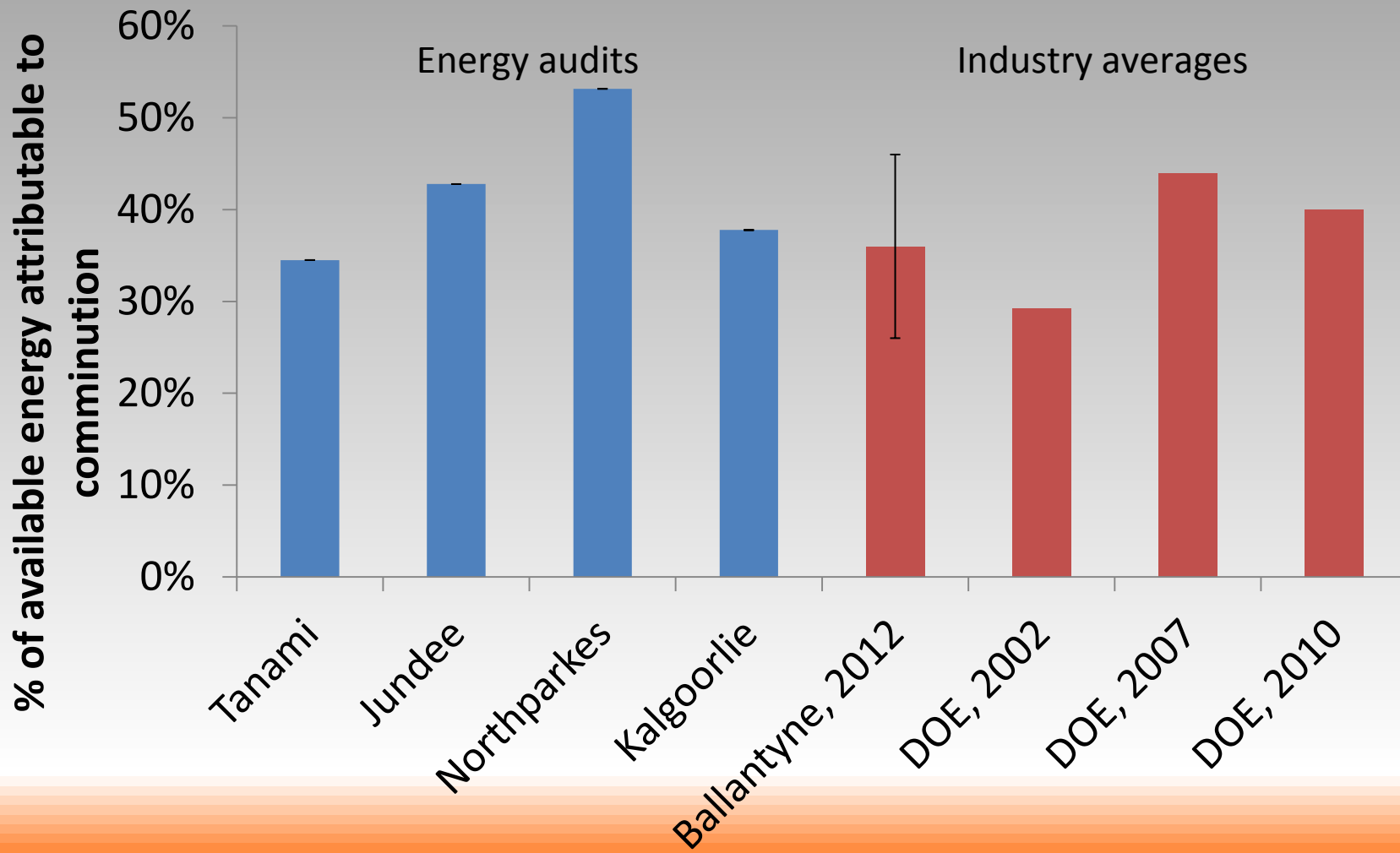


Potential energy savings in the mining industry

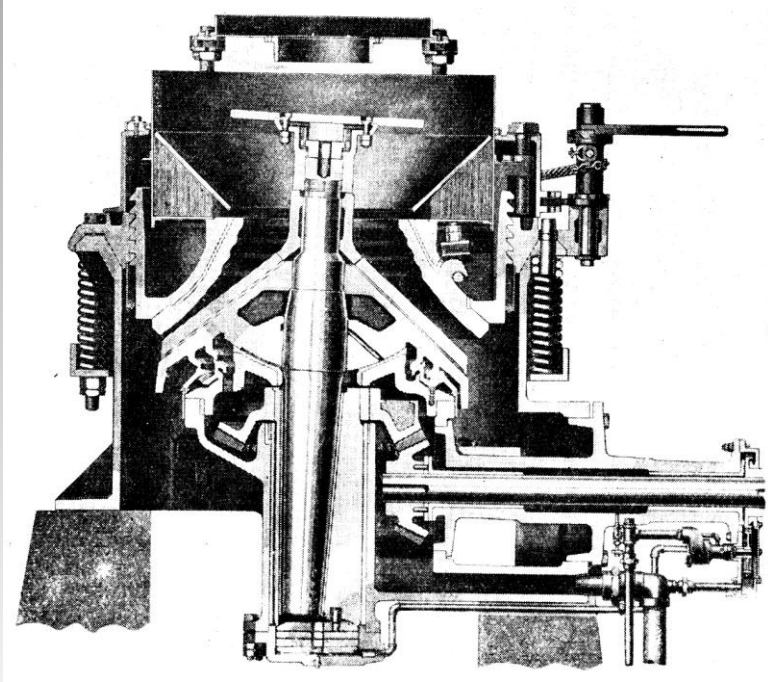


Source: Mining Energy Bandwidth Study (Draft 2007)

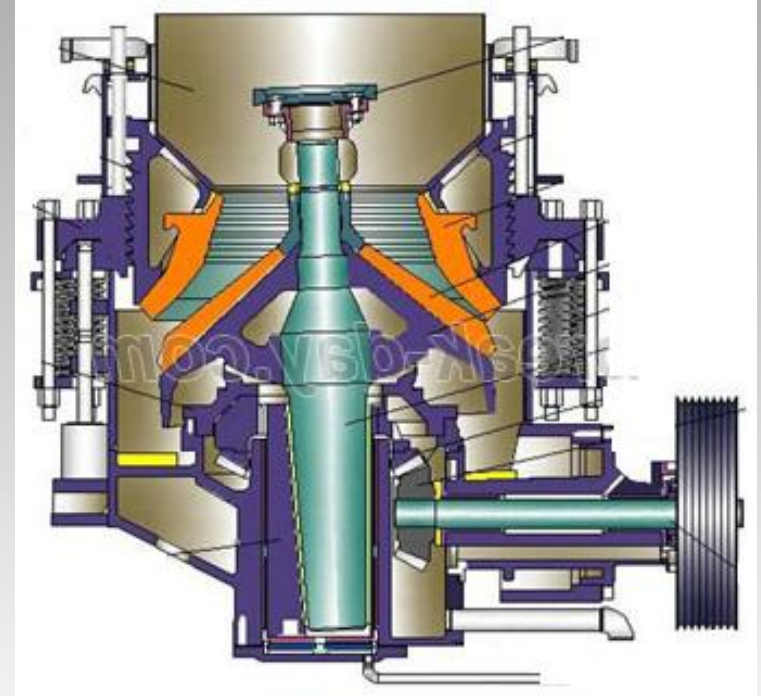
Energy attributable to comminution in Australian gold and copper producers



The march of technology



1935



2012